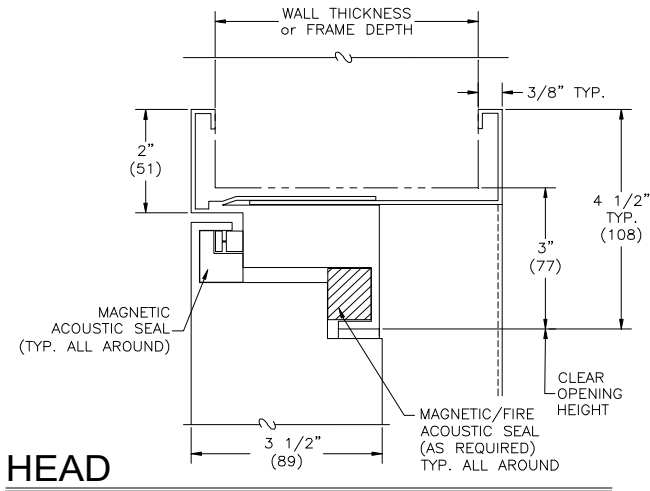
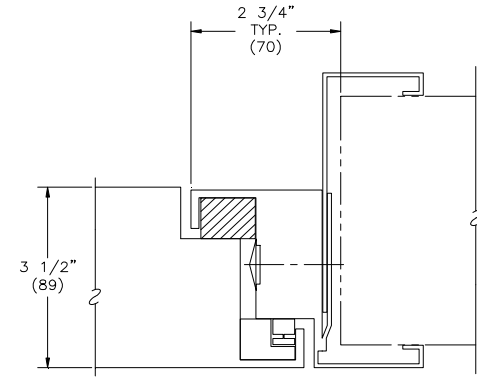


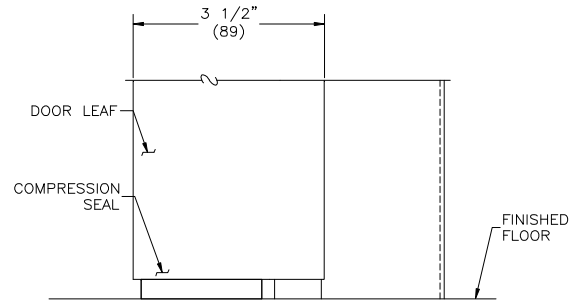
HEAD



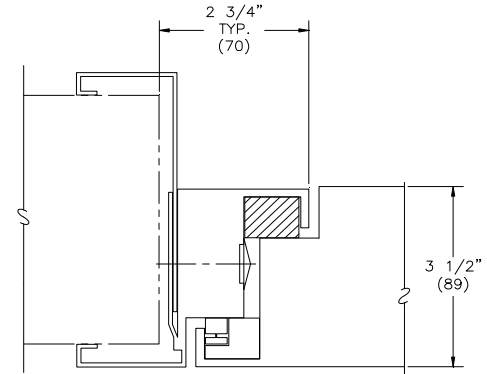
HEAD



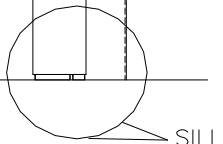
JAMB (RIGHT)



SILL



JAMB (LEFT)



SILL

ISSUE	DATE	BY	DESCRIPTION OF ISSUE
A	12/26/16	0	FOR APPROVAL

THIS DESIGN AND DRAWING IS THE EXCLUSIVE PROPERTY OF THE INDUSTRIAL ACOUSTICS COMPANY, INCORPORATED, AND IS SUBMITTED AS CONFIDENTIAL INFORMATION IN CONNECTION WITH YOUR INQUIRY. IT MUST NOT BE USED FOR ANY OTHER PURPOSES, NOR CAN IT BE COPIED OR LOANED WITHOUT WRITTEN PERMISSION. UPON REQUEST IT MUST BE RETURNED IMMEDIATELY.



IAC STC 55 SINGLE LEAF NOISE-LOCK ACOUSTIC DOOR DETAILS

	JOB No. 0	DRAWING No. A--2	ISSUE A
--	--------------	---------------------	------------