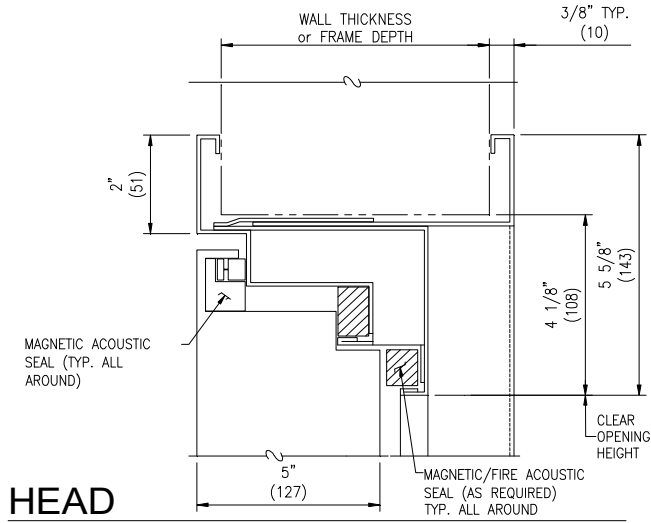
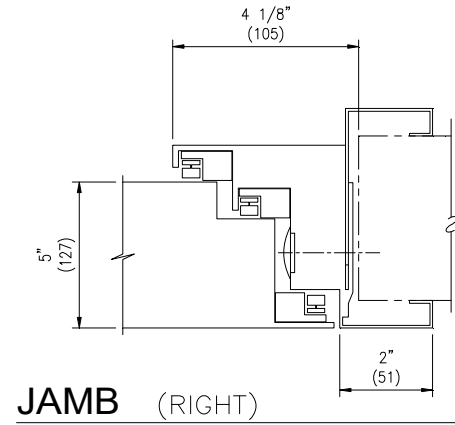


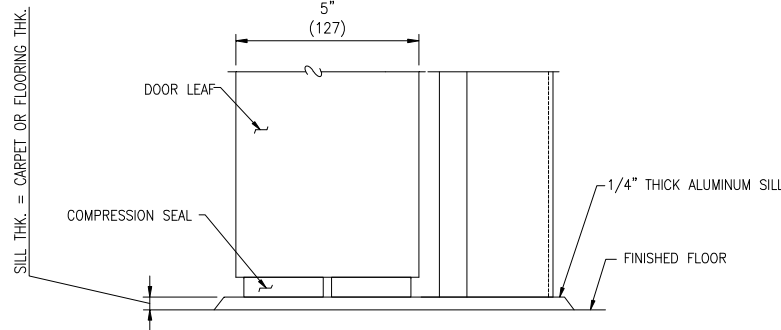
HEAD



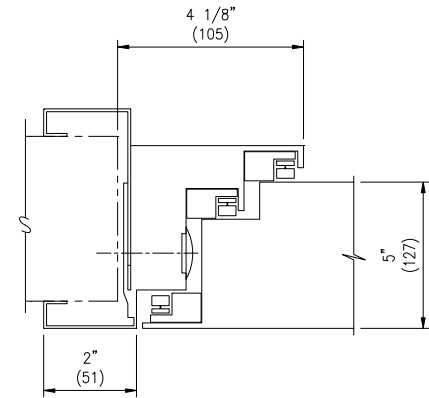
HEAD



JAMB (RIGHT)

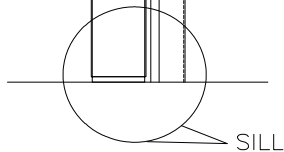


SILL



JAMB (LEFT)

NOTE : SILL PLATE WILL BE REQUIRED IF CARPET OR MATERIAL TRANSITION IS LOCATED AT THE OPENING. REFER TO IAC DWG. A-9917-025-5 FOR ADDITIONAL DETAILS. (SILL PLATE NOT BY IAC UNLESS OTHERWISE NOTED.)



SILL

ISSUE	DATE	BY	DESCRIPTION OF ISSUE
A	12/26/16	0	FOR APPROVAL

THIS DESIGN AND DRAWING IS THE EXCLUSIVE PROPERTY OF THE INDUSTRIAL ACOUSTICS COMPANY, INCORPORATED, AND IS SUBMITTED AS CONFIDENTIAL INFORMATION IN CONNECTION WITH YOUR INQUIRY. IT MUST NOT BE USED FOR ANY OTHER PURPOSES, NOR CAN IT BE COPIED OR LOANED WITHOUT WRITTEN PERMISSION. UPON REQUEST IT MUST BE RETURNED IMMEDIATELY.



IAC STC 64 SINGLE LEAF NOISE-LOCK ACOUSTIC DOOR DETAILS

JOB No. 0	DRAWING No. A--2	ISSUE A
--------------	---------------------	------------