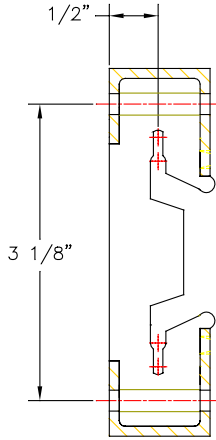


# Installation of IsoMax Sound Isolation Clips Wall or Ceiling

## Step 1

Attach clips per Kinetics layout guidelines for walls or ceilings.  
See attached layout drawings.



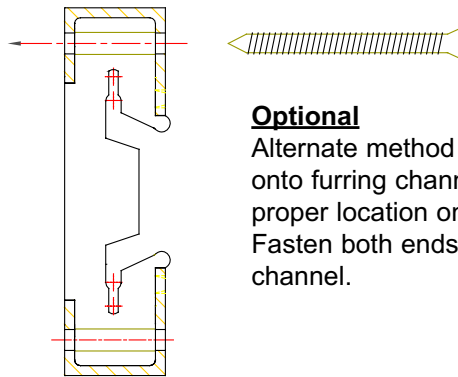
## Step 2

Secure clips with a single fastener on one end only.

**Wood** - Use #8 x 2-1/2" coarse thread screws

**Steel** - Use #8, 10, or 12 x 1-5/8" self-tapping Type S screws

**Concrete or Masonry** - Use 3/16" dia x 2-1/4" Tapcon or equal anchor

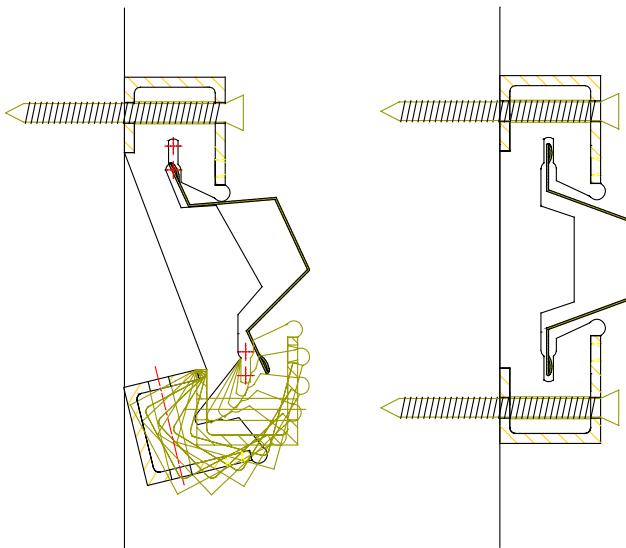


## Optional

Alternate method for Step 2. Snap clips onto furring channel. Hand slide clips to proper location on the furring channel. Fasten both ends of the clip to secure the channel.

## Step 3

Grip unsecured rubber end, snap in channel. Secure with second screw/anchor.



## Furring Channel Requirements

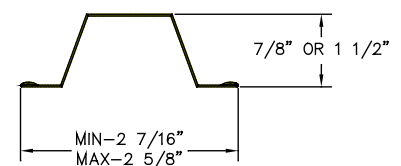
Minimum 25 ga with hemmed edge.

Standard - 7/8" deep channel

Optional - 1-1/2" deep channel for additional furring space.

Splice furring channel with a 6-in overlap and secure overlapped pieces with wire or screws per standard industry practice.

## Furring Channel Dimensions



## **Load Specification for IsoMax Clips**

The IsoMax clip is designed to carry a drywall furring channel (hat track) with one or more layers of gypsum wallboard attached. THE LOAD CAPACITY OF THE CLIP DEPENDS ON THE GAGE OF FURRING CHANNEL USED. Lighter, 25 ga, furring channel carries less load than 22 ga channel. The maximum design load capacity for the IsoMax clip in shear (wall application) or in tension (ceiling application) is as follows. Design load calculations are based on tested loading to failure where the furring channel deforms and pulls out.

	Design Load Maximum for <u>Wall or Ceiling Application</u>	
	<u>2:1 safety factor</u>	<u>2.5:1 safety factor*</u>
IsoMax clip with 25 ga steel furring channel	45 lbs.	36 lbs.
IsoMax clip with 22 ga steel furring channel	60 lbs.	48 lbs.

**Note:** 5/8" thick gypsum wallboard weighs 2.3 lbs/sq ft. 1/2" thick gypsum wallboard weighs 1.85 lbs/sq ft.

\* Suggested safety factor of 2.5:1 for more critical life safety applications; i.e., hospitals

## **Installation of IsoMax Sound Isolation Clips - Walls and Ceilings**

Spacing of clips on the furring channel shall be a maximum of 48 inches.

- Spacing between furring channels shall be a maximum of 24 inches.
- Use only the required size and gage of furring channel per the Furring Channel Requirements section and Load Specification section of this document.
- (Walls only) The first layer of gypsum wallboard shall align seams between sheets on the centerline of the horizontal furring channels.
- (Walls only) The bottom row of clips with furring channel(s) should be a maximum 3 inches to the center of the channel from the floor. The top row should be within 6 inches of the ceiling.
- (Walls only) The first row of gypsum wallboard sheets at the bottom of the wall shall be installed with the long dimension supported on a 1/4 inch thick continuous resilient isolation strip, Kinetics Model RWS.
- (Ceilings only) The IsoMax clips should be within 12 inches of the ceiling perimeter at the end of the furring channel run.
- (Ceilings only) The first row of channel at the ceiling perimeter should be a maximum 6" from the wall.
- Furring channels are installed perpendicular to the framing members.
- If used, second layer of gypsum board should be staggered a minimum of 12" over the joint.

## **General Information**

All potential sound leaks; gaps around outlets, window, or door frames; pipe penetrations and the like should be sealed with a non-hardening acoustical sealant or resilient putty.

**Note:** See Kinetics Model Sealtight Outlet Backers.

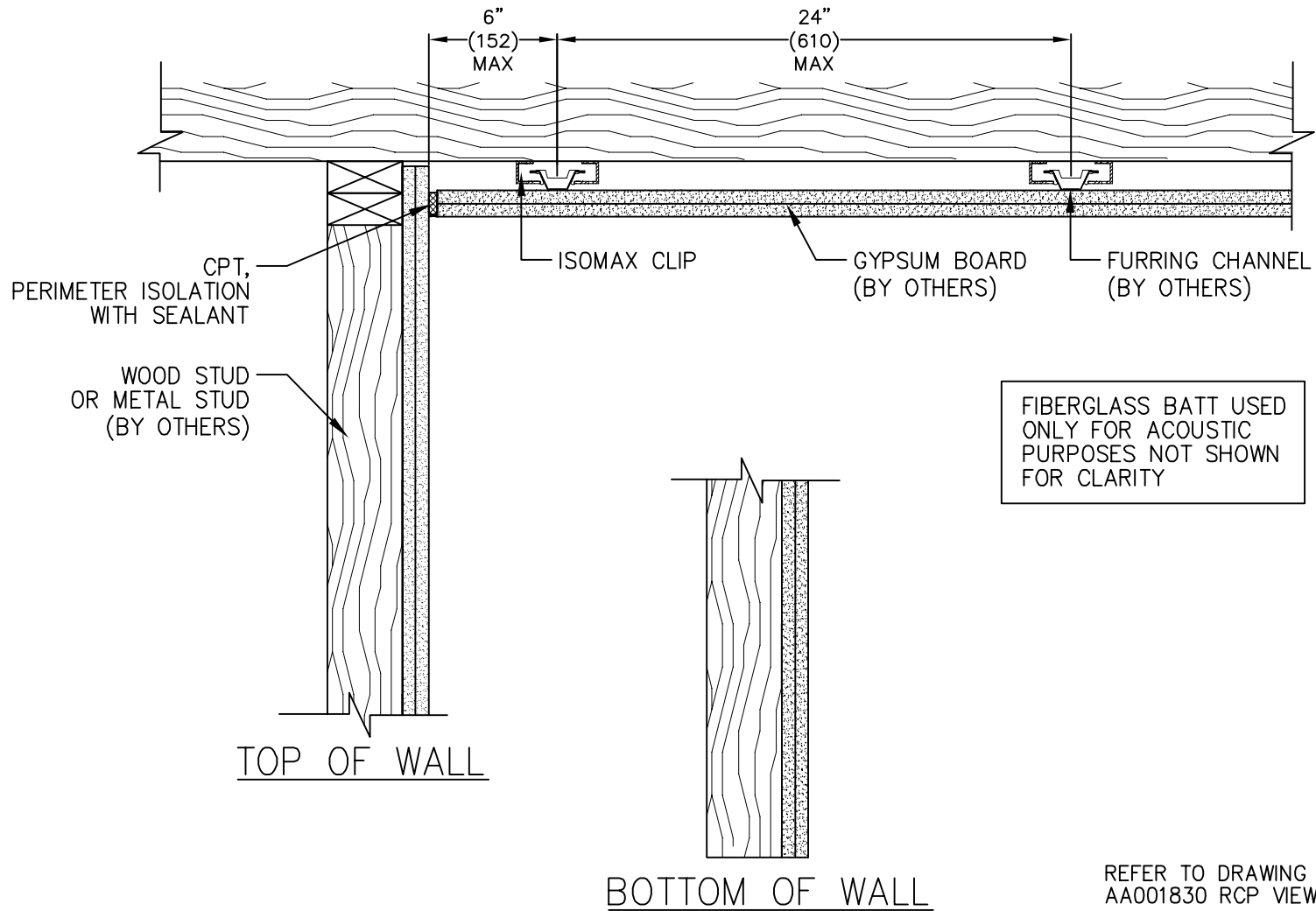
Fire-rated wall and ceiling assemblies and the specific construction requirements are listed at:

Go to [www.ul.com](http://www.ul.com).

On-line Certification Directory - Type **Kinetics Noise Control** in Search by Company.

Links to Listings will be displayed.

DIMENSIONS SHOWN ARE TYPICAL. SEE ONLINE  
INSTALLATION GUIDELINES FOR MORE DETAIL.



REFER TO DRAWING AA001808 FOR PLAN /  
AA001830 RCP VIEWS

DIMENSION FORMAT: IN (mm)



TITLE  
ISOMAX CLIPS  
ISOLATED CEILINGS

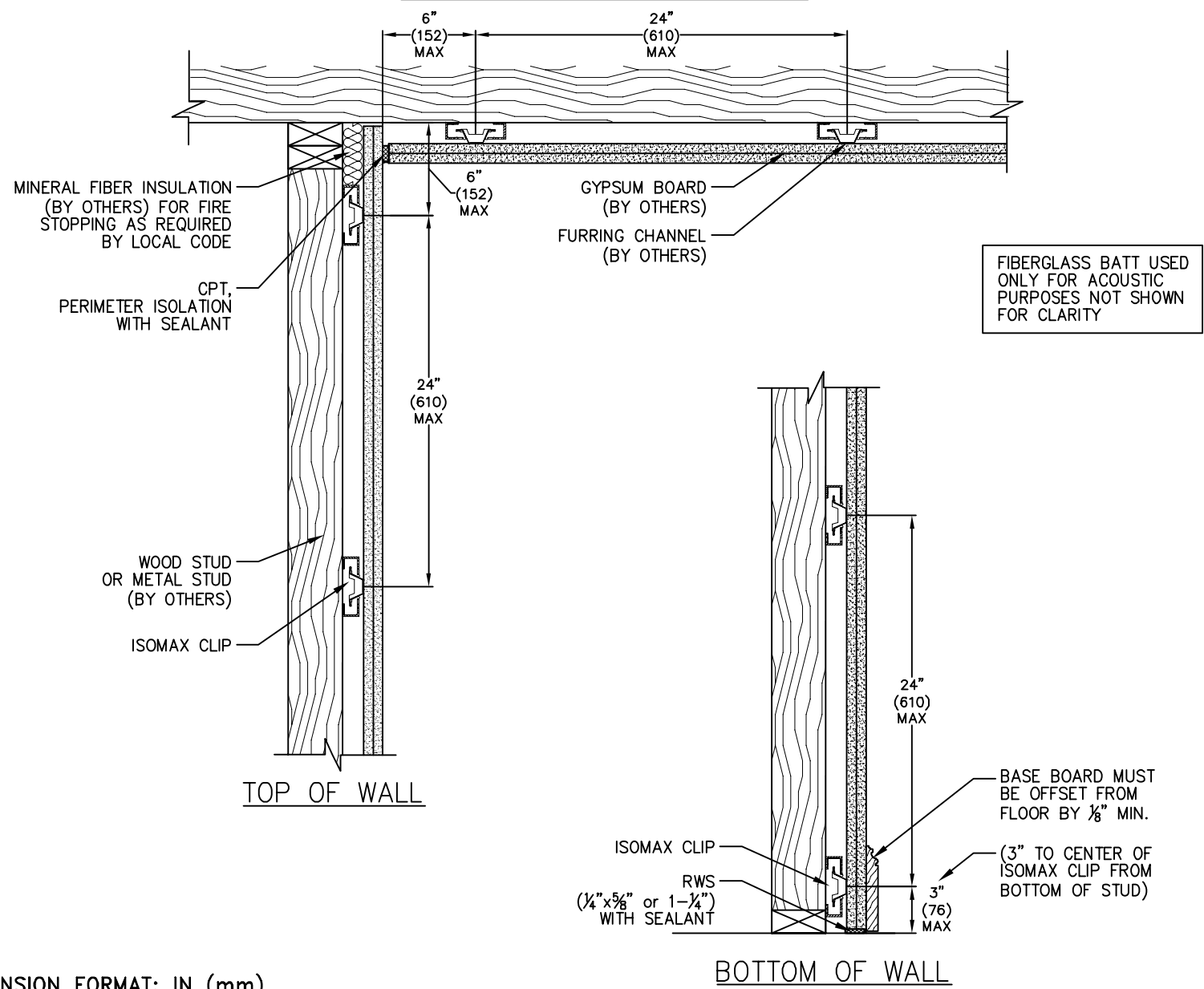
LAST DATE  
REVISED  
04/24/14

REVISED BY  
MDV

DRAWING NO.  
AA001805

AA

DIMENSIONS SHOWN ARE TYPICAL. SEE ONLINE INSTALLATION GUIDELINES FOR MORE DETAIL.



DIMENSION FORMAT: IN (mm)

REFER TO DRAWING AA001808 FOR PLAN / AA001829 ELEVATION VIEWS



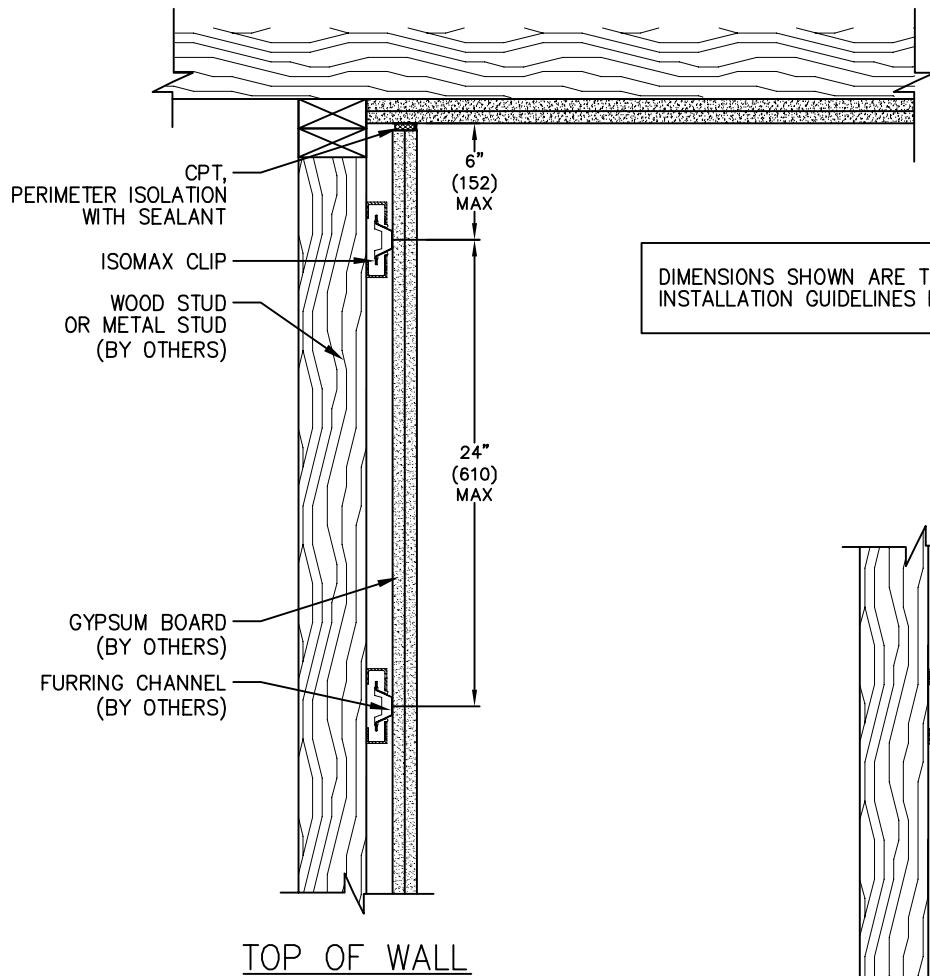
TITLE  
**ISOMAX CLIPS  
 ISOLATED WALLS  
 AND CEILINGS**

LAST DATE  
 REVISED  
**01/07/14**

REVISED BY  
**TJM**

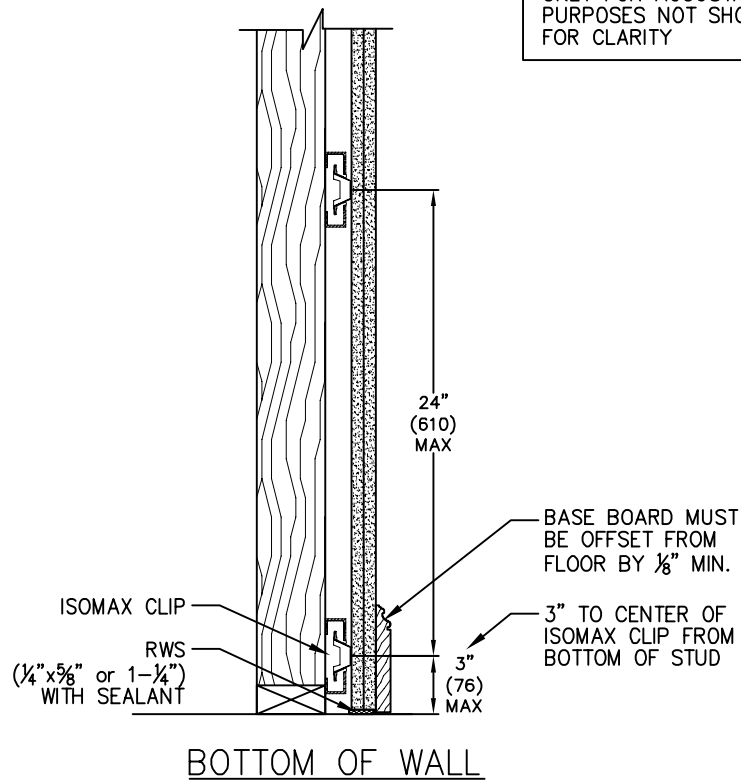
DRAWING NO.  
**AA001806**

AA



DIMENSIONS SHOWN ARE TYPICAL. SEE ONLINE  
INSTALLATION GUIDELINES FOR MORE DETAIL.

FIBERGLASS BATT USED  
ONLY FOR ACOUSTIC  
PURPOSES NOT SHOWN  
FOR CLARITY



DIMENSION FORMAT: IN (mm)

REFER TO DRAWING AA001808 FOR PLAN /  
AA001829 ELEVATION VIEWS



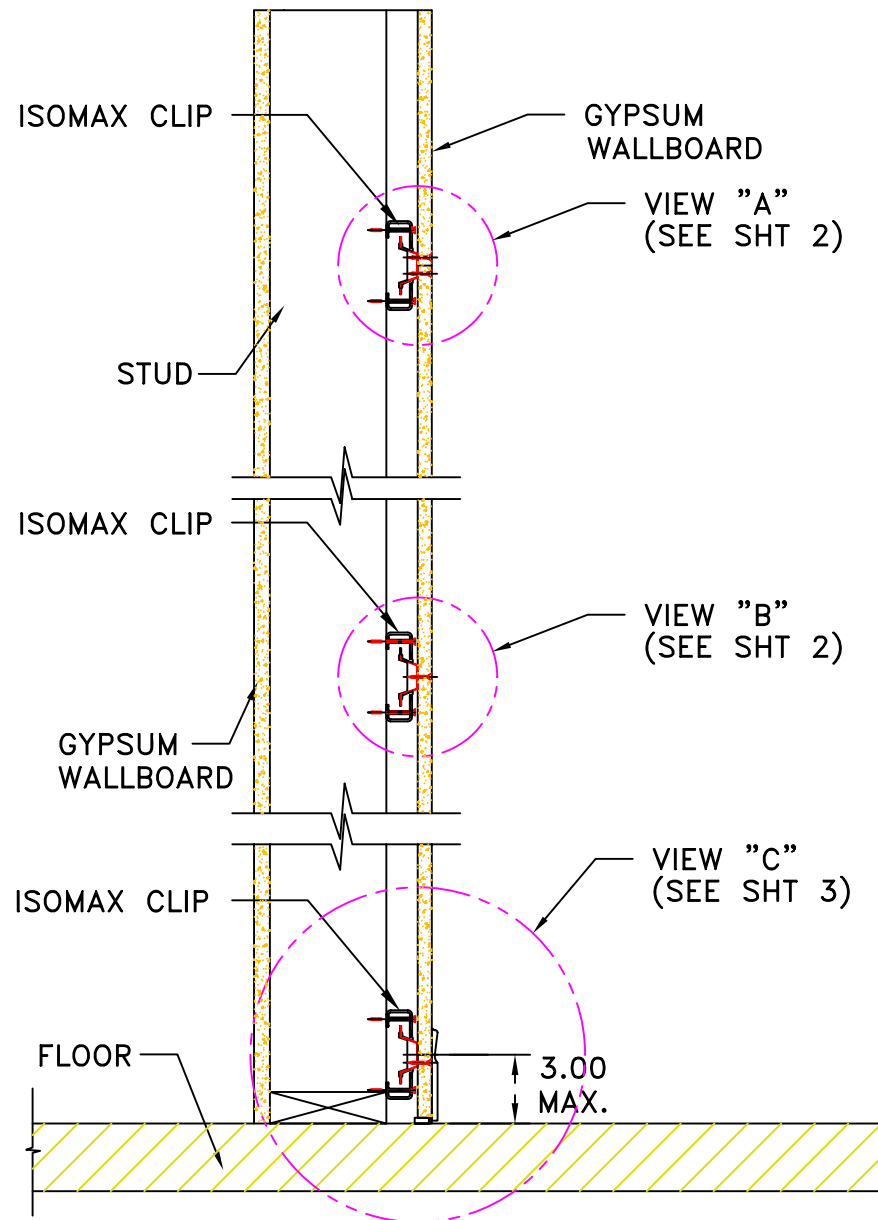
TITLE  
ISOMAX CLIPS  
ISOLATED WALLS

LAST DATE  
REVISED  
01/07/14

REVISED BY  
TJM

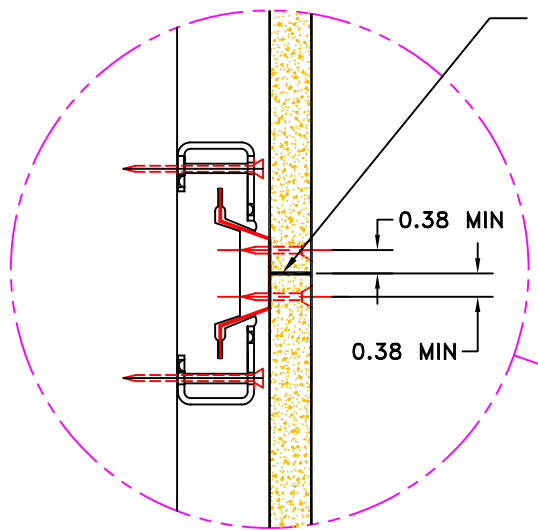
DRAWING NO.  
AA001807

AA

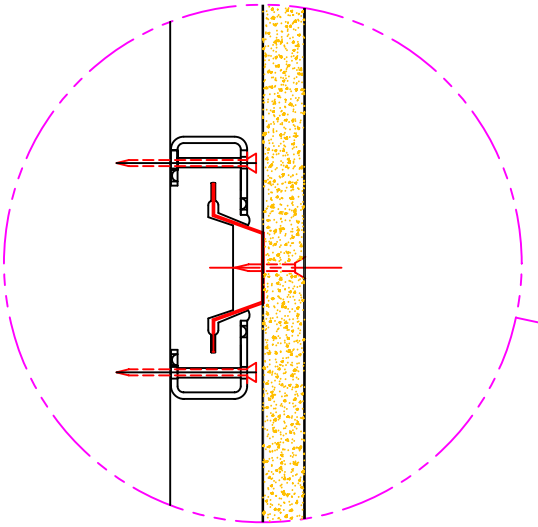


WALL/FLOOR SECTION

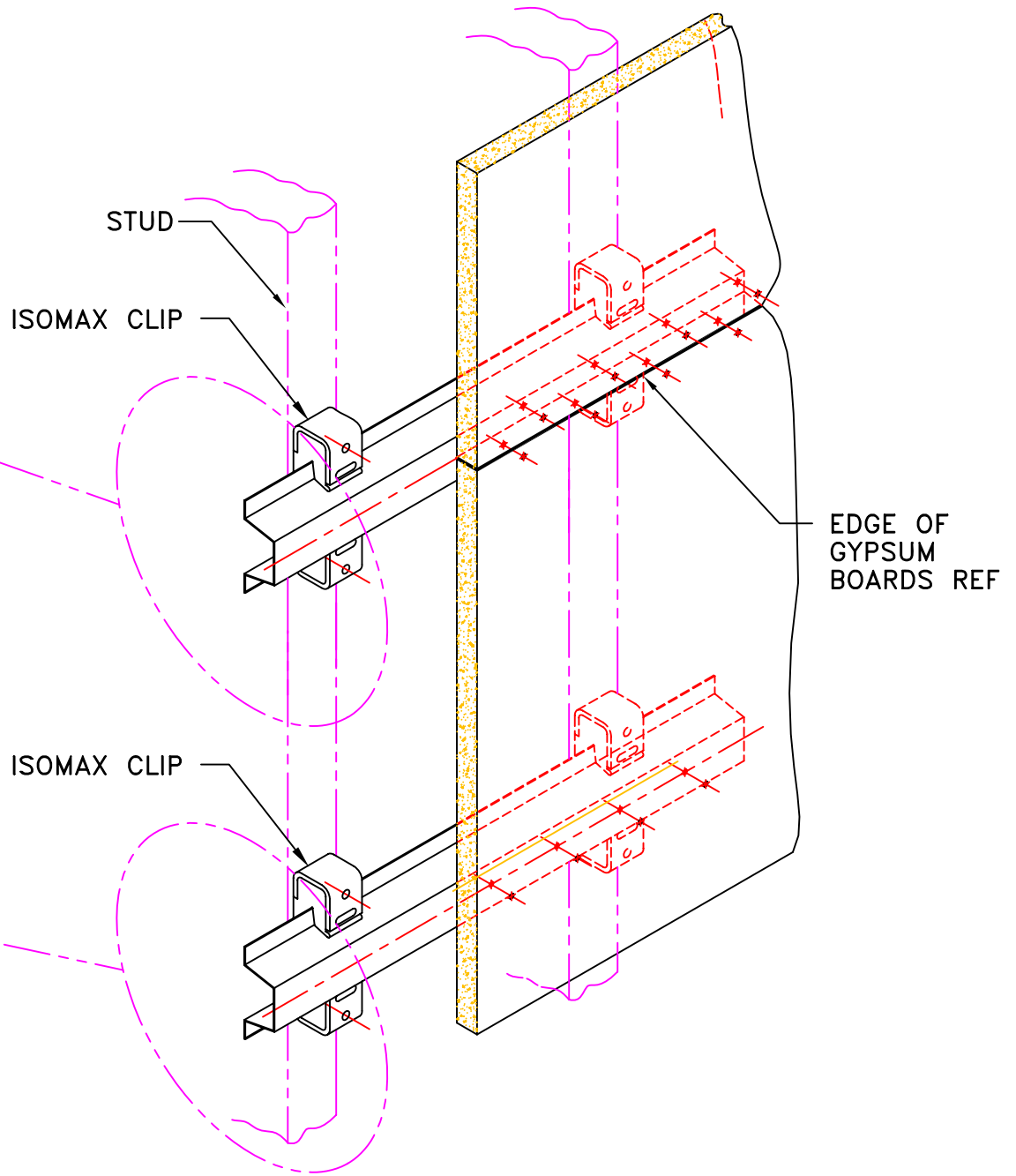
NOTE: FOR ACOUSTICAL ISOLATION  
BASE BOARD OR ANY OTHER  
WALL ATTACHMENTS MUST NOT  
TOUCH THE FLOOR.

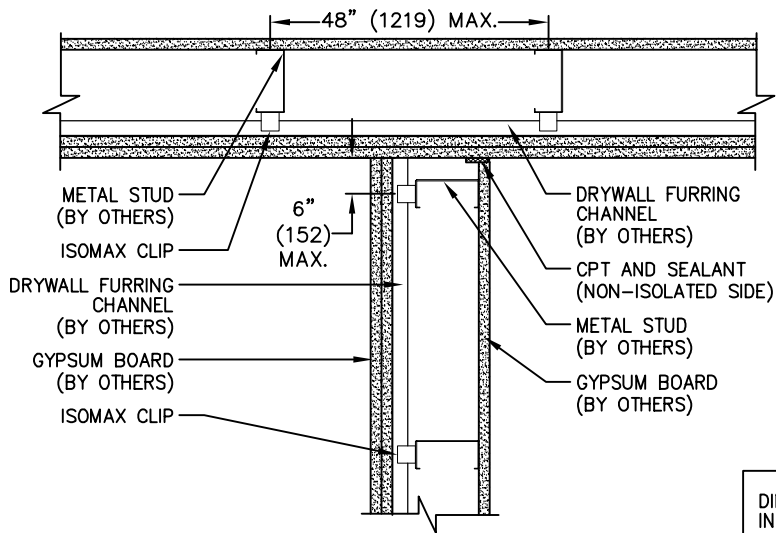


ENLARGED VIEW "A"

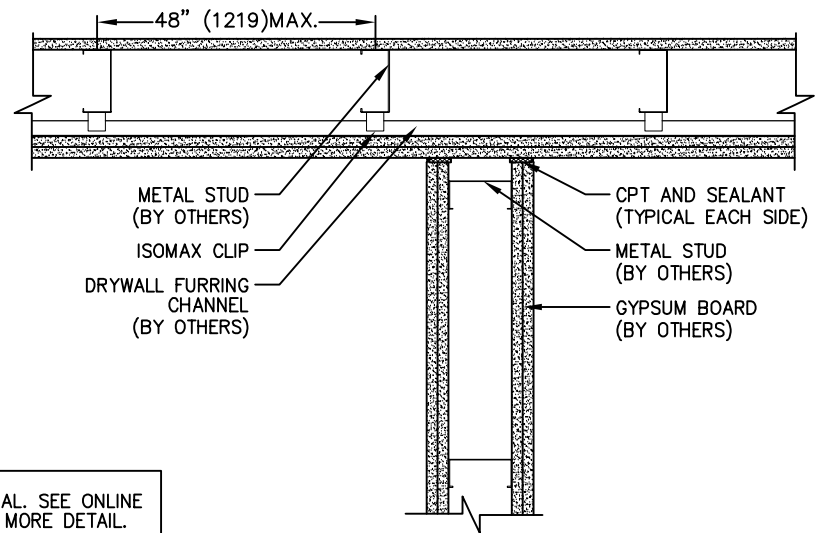


ENLARGED VIEW "B"



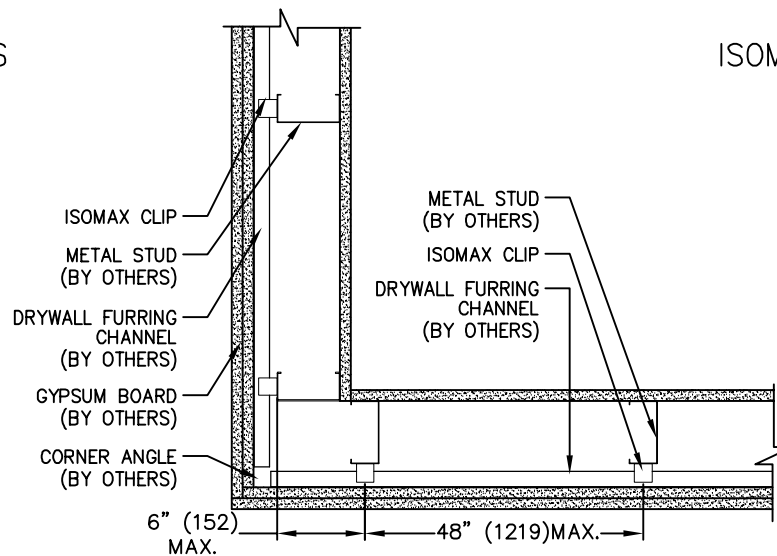


PLAN VIEW  
INTERSECTION AT  
TWO ISOMAX WALLS



PLAN VIEW  
INTERSECTION AT  
ISOMAX & NON-ISOMAX WALL

DIMENSIONS SHOWN ARE TYPICAL. SEE ONLINE  
INSTALLATION GUIDELINES FOR MORE DETAIL.



PLAN VIEW  
CORNER INTERSECTION

DIMENSION FORMAT: IN (mm)

REFER TO DRAWINGS AA001805, 06, 07 FOR  
SECTIONS / AA001829 ELEVATION VIEWS



TITLE  
ISOMAX CLIPS  
PLAN VIEW  
TYPICAL WALL INTERSECTIONS

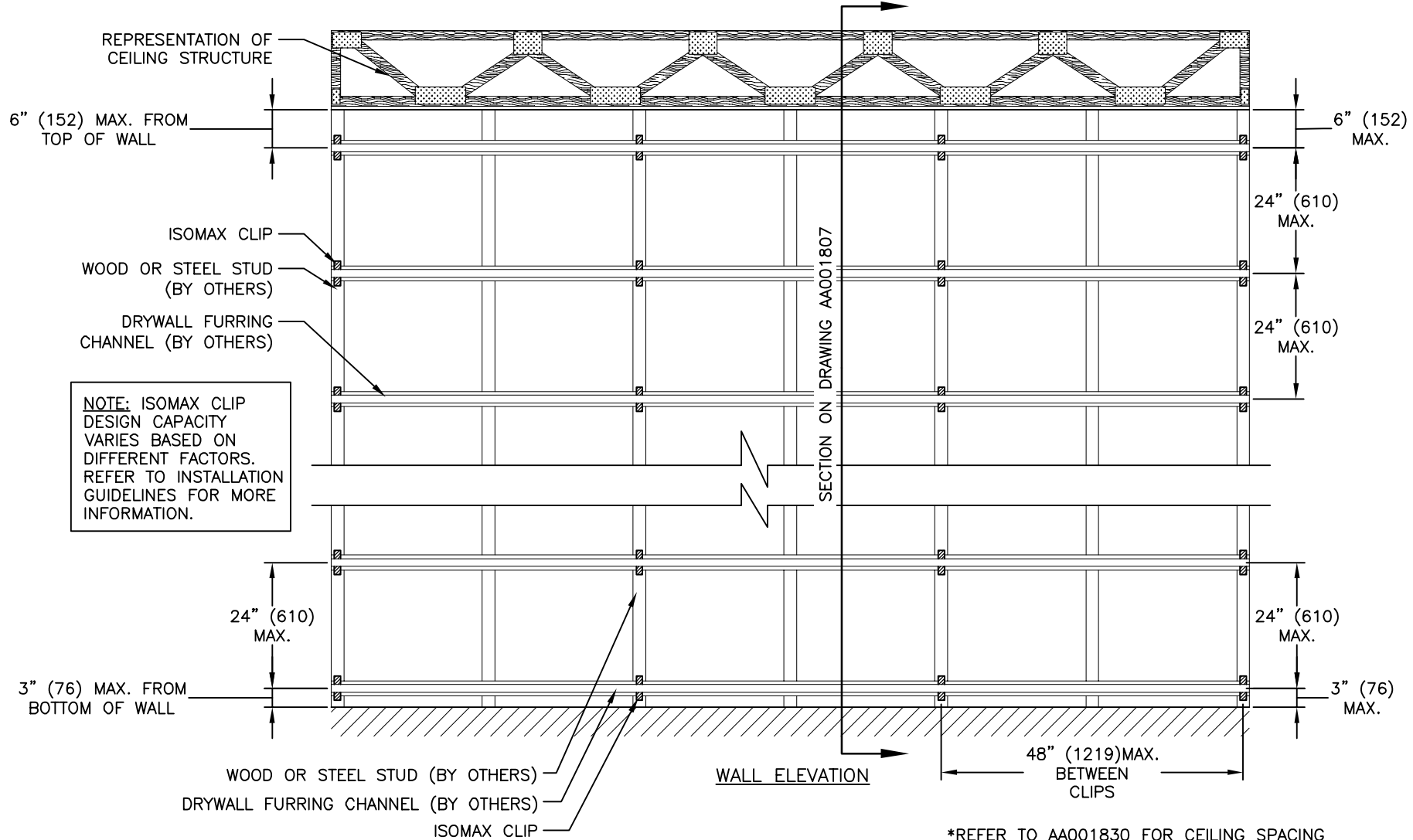
LAST DATE  
REVISED  
01/09/14

REVISED BY  
TJM

DRAWING NO.  
AA001808

AA





\*REFER TO AA001830 FOR CEILING SPACING

DIMENSION FORMAT: IN (mm)



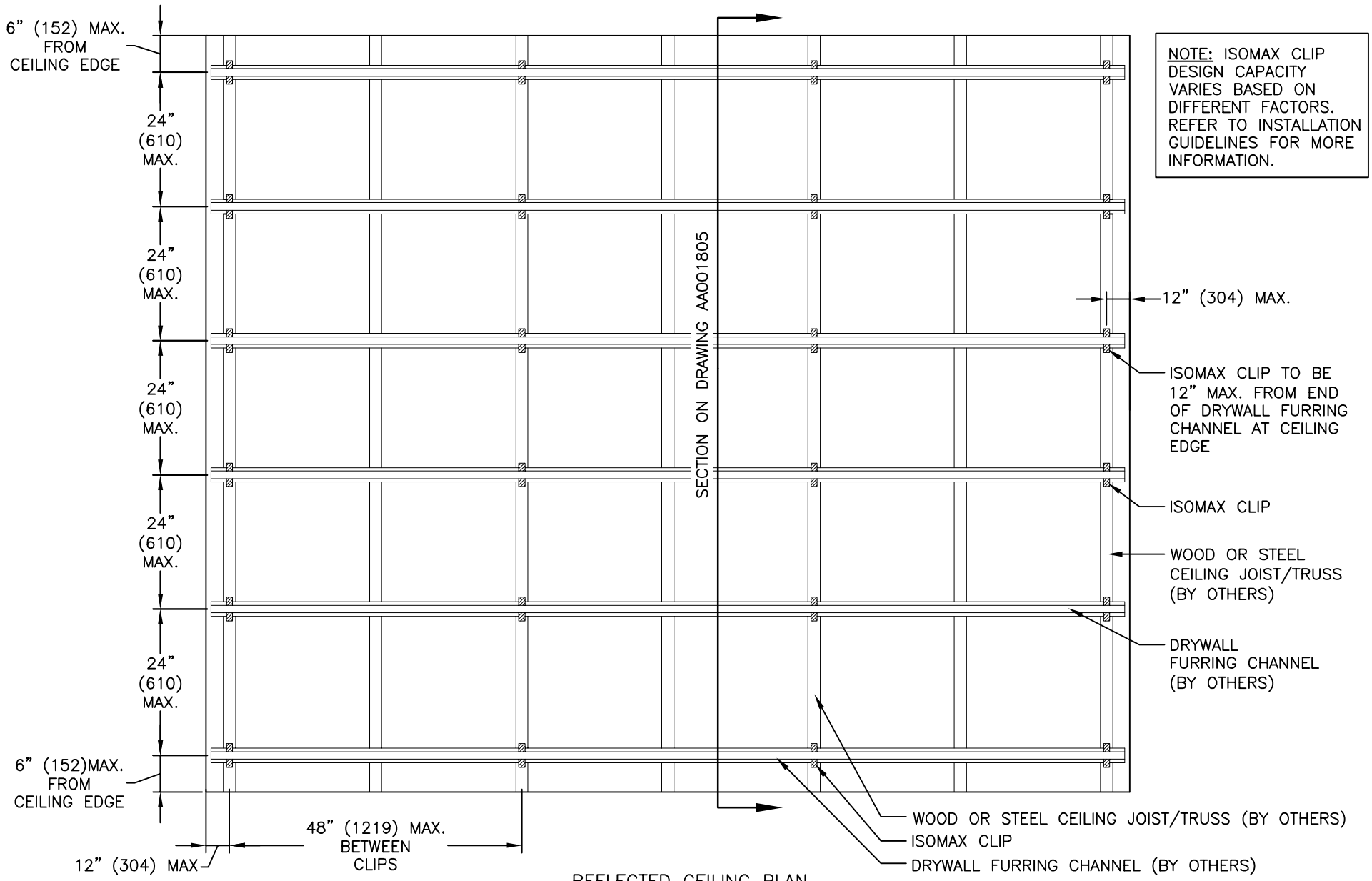
TITLE ISOMAX CLIPS  
TYPICAL WALL ELEVATION  
WITH FURRING CHANNEL

LAST DATE  
REVISED  
01/09/14

REVISED BY  
TJM

DRAWING NO.  
AA001829

AA



DIMENSION FORMAT: IN (mm)

REFLECTED CEILING PLAN

\*REFER TO AA001829 FOR WALL SPACING



TITLE ISOMAX CLIPS  
TYPICAL CEILING LAYOUT  
WITH FURRING CHANNEL

LAST DATE  
REVISED  
01/09/14

REVISED BY  
TJM

DRAWING NO.  
AA001830

AA